

# Stainless Steel Sinks

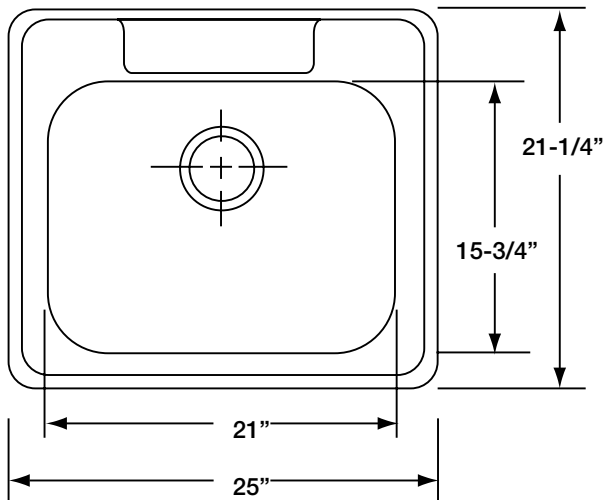
**GLADA252153**  
**GLADA252154**

25x21-1/4x5-3/8 ADA SGL BOWL SINK DI 22GA 3HL SS  
25x21-1/4x5-3/8 ADA SGL BOWL SINK DI 22GA 4HL SS

## SINK DIMENSIONS (INCHES)\*

Dimensions	Overall		Inside Bowl			Cutout in Countertop (1-1/2" (38mm) Radius Corners)		Number of Faucet Openings	Minimum Cabinet Size
	L	W	L	W	D	L	W		
25x21-1/4x5-3/8	A	B	C	D	E	L	W	3 or 4	30 (762mm)
	25 (635mm)	21-1/4 (559mm)	21 (533mm)	15-3/4 (400mm)	5-3/8 (137mm)	24-3/8 (619mm)	20-5/8 (543mm)		

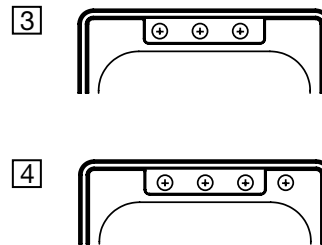
\*Length is left to right. Width is front to back.



Bowl Depth is 5-3/8"

### Hole Drilling Configurations

1-1/2" (38mm) Diameter Faucet Holes on 4" (102mm) Centers



gemline

